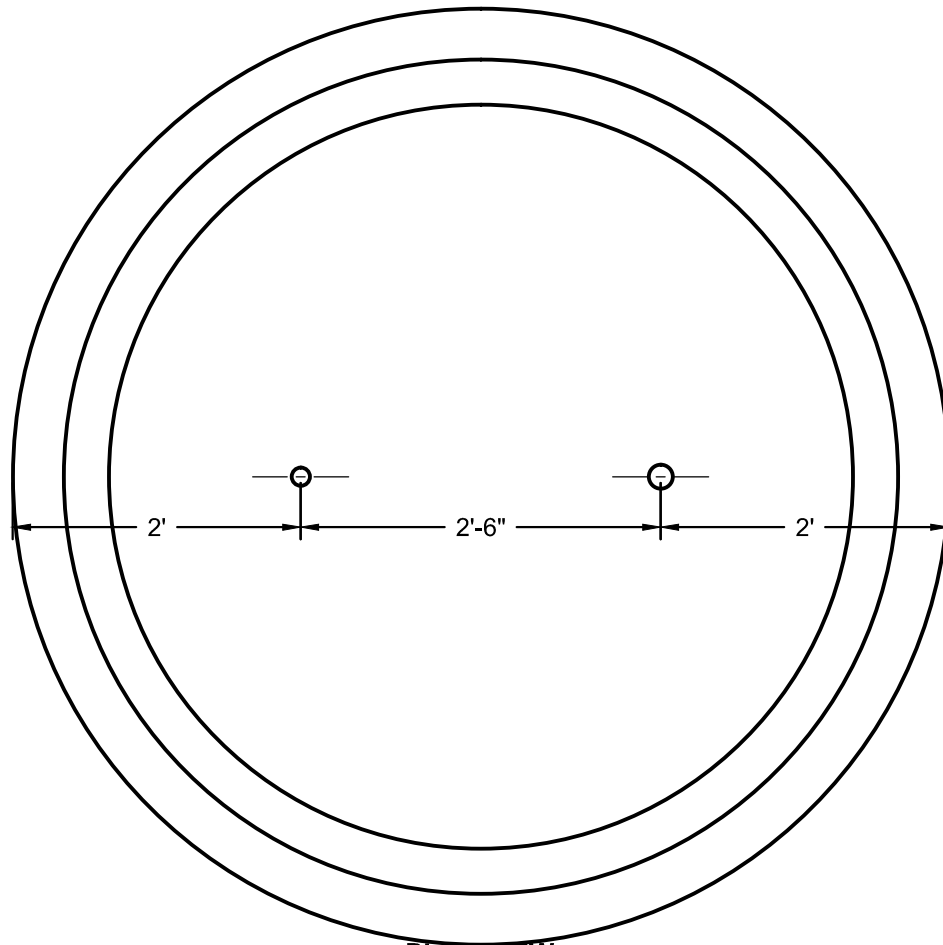




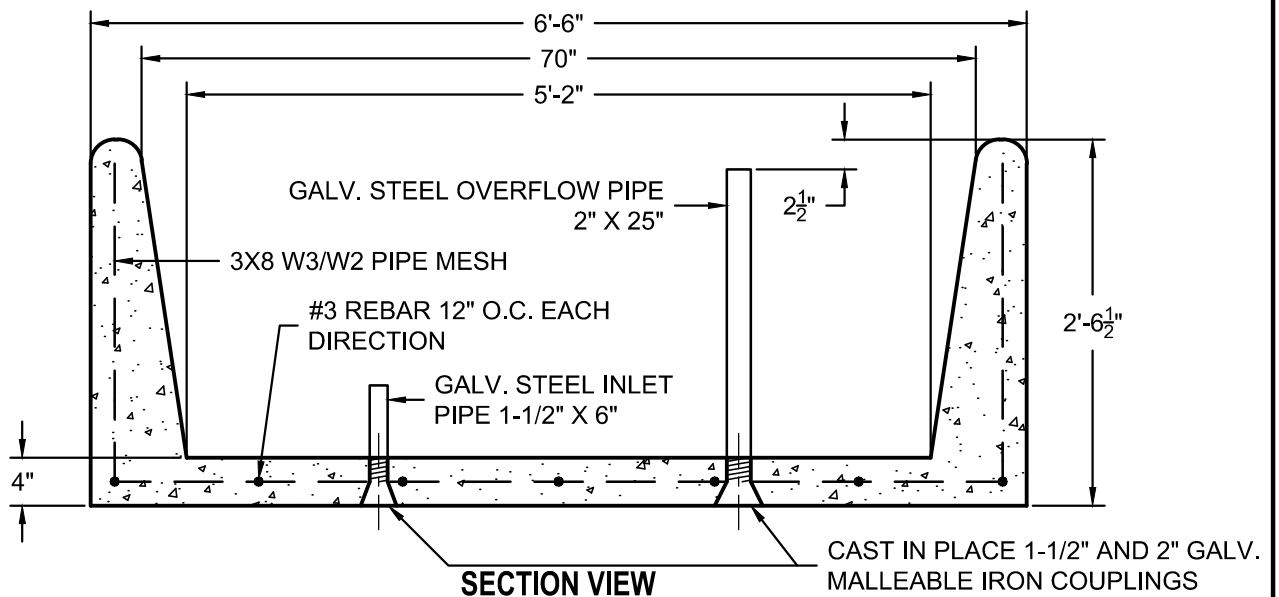
# HUNTON PRE-CAST CONCRETE

PO BOX 7091 - MISSOULA, MONTANA - 59807-7091  
PHONE 406-543-8640 - FAX 406-549-0727

400 GALLON  
STOCK WATERER  
PRODUCT NO. 408



PLAN VIEW



SECTION VIEW