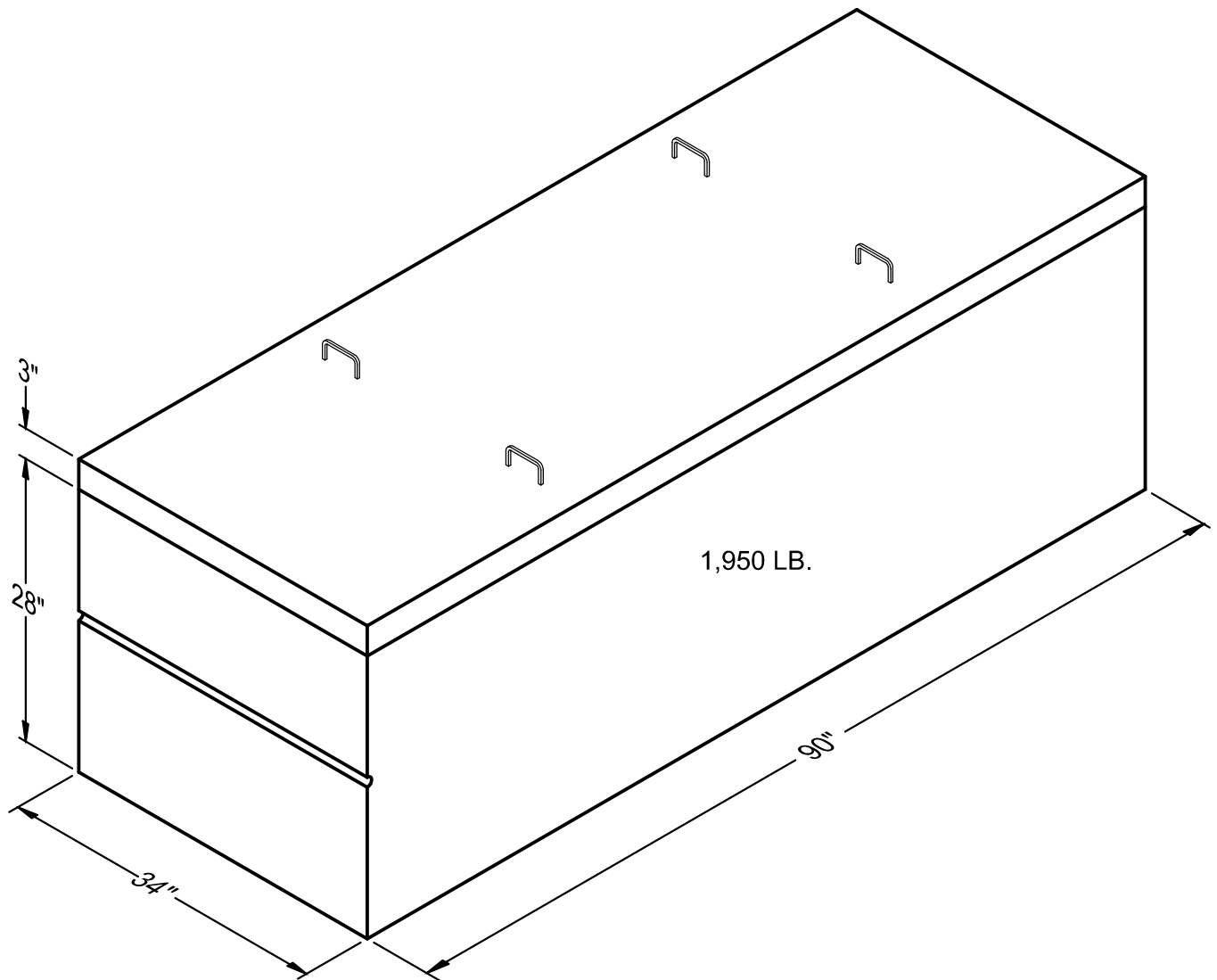




HUNTON PRE-CAST CONCRETE

PO BOX 7091 - MISSOULA, MONTANA - 59807-7091
PHONE 406-543-8640 - FAX 406-549-0727

CONCRETE GRAVE LINER PRODUCT NO. 540



DESIGN NOTES

1. Concrete: 4,500 psi @ 28 days
2. Contains Fiber Mesh Reinforcement
3. Lids Reinforced with 6 Gauge Wire Mesh
4. Inside Dimensions: 85-3/4" Long x 29-3/4" Wide x 25-3/8" Tall