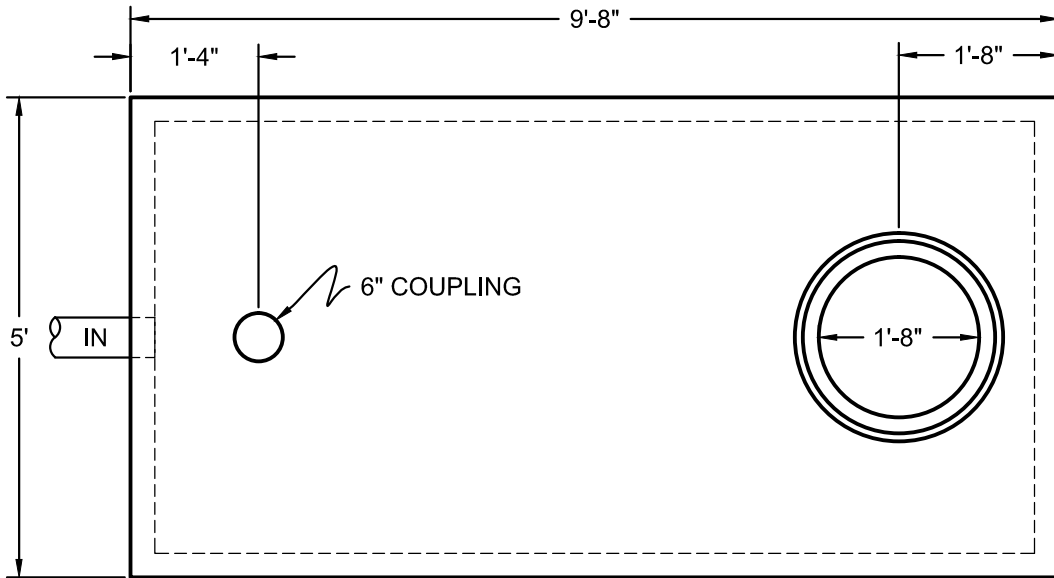




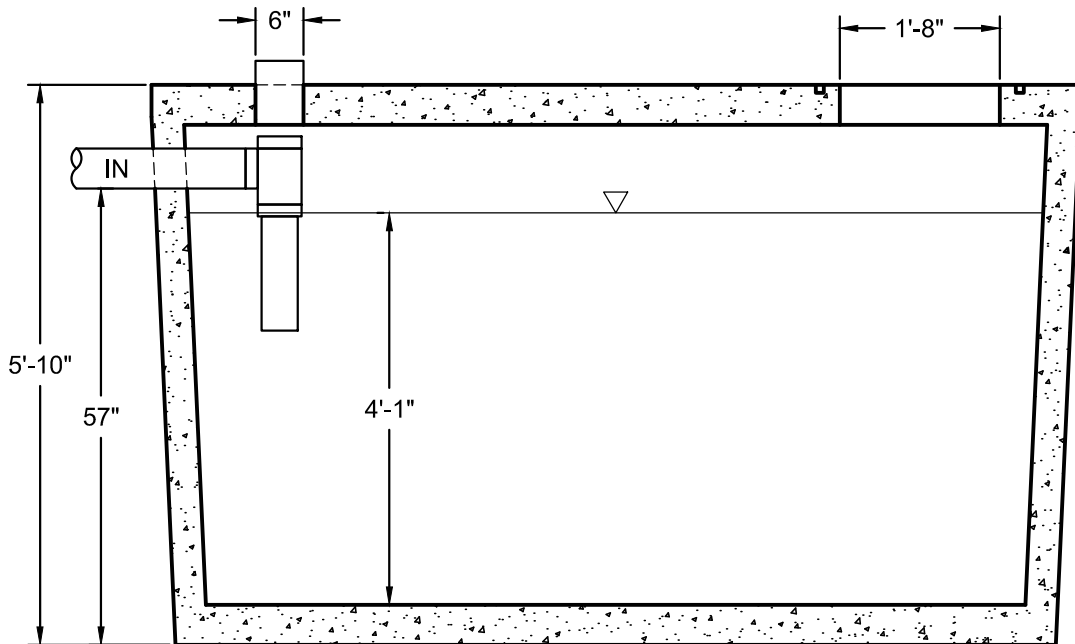
# HUNTON PRE-CAST CONCRETE

PO BOX 7091 - MISSOULA, MONTANA - 59807-7091  
PHONE 406-543-8640 - FAX 406-549-0727

## 1000 GALLON STEP TANK PRODUCT NO. 107



PLAN VIEW



SECTION VIEW

### DESIGN NOTES

1. Concrete: 5,000 psi @ 28 days
2. Meets or Exceeds State DEQ and Local Requirements
3. Tank Requires PVC Tee on Inlet
4. Water Tested at HPC Plant

SCALE: 1/2" = 1'-0"