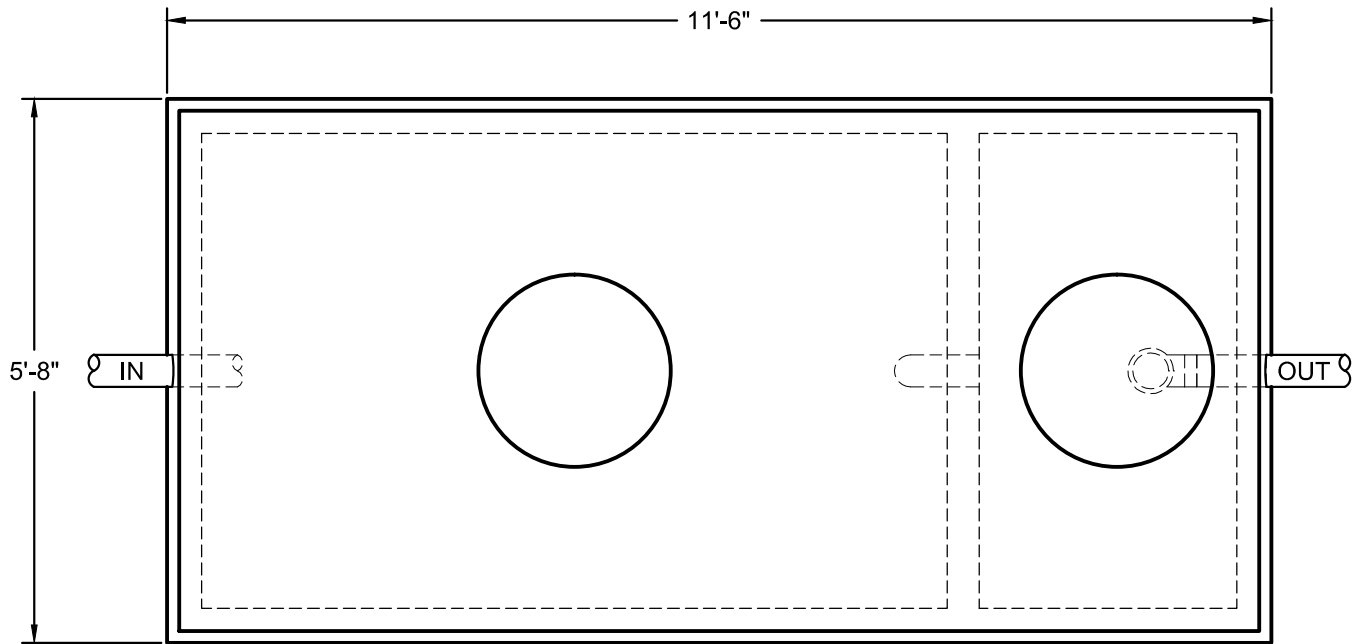




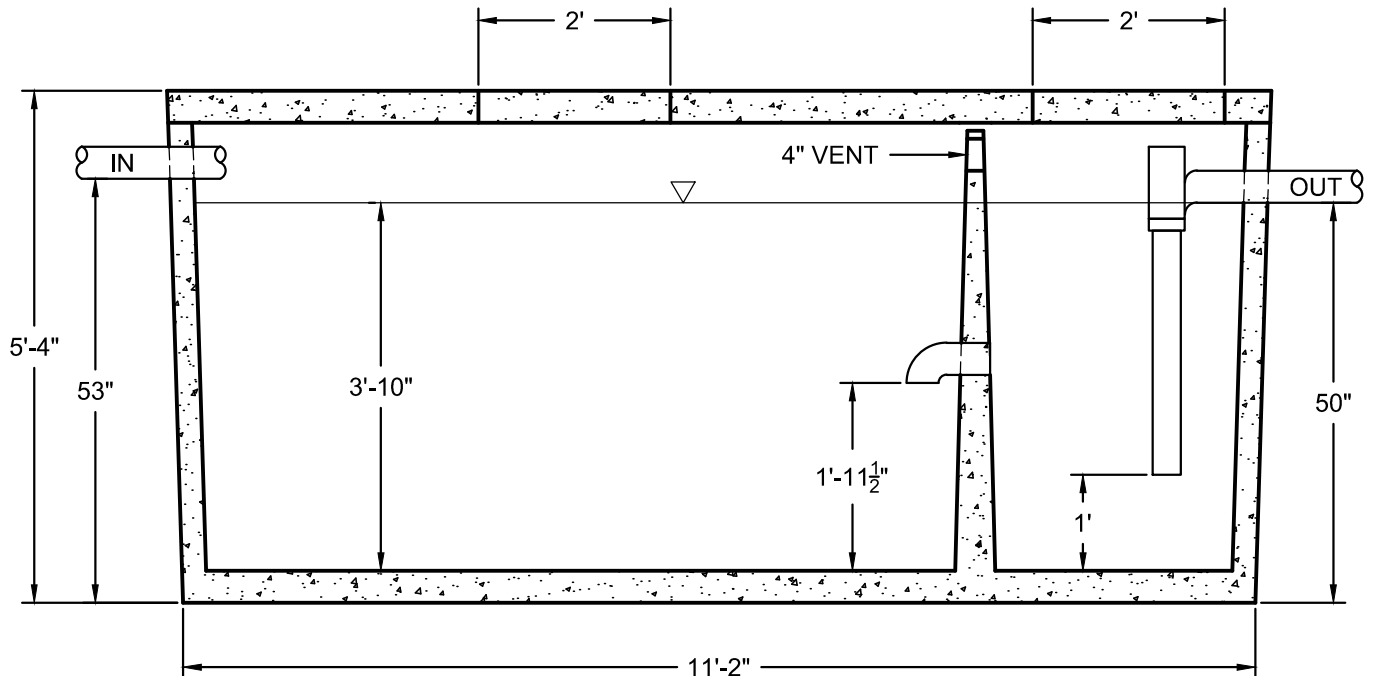
HUNTON PRE-CAST CONCRETE

PO BOX 7091 - MISSOULA, MONTANA - 59807-7091
PHONE 406-543-8640 - FAX 406-549-0727

1500 GALLON OIL/SAND
INTERCEPTOR TANK
PRODUCT NO. 110



PLAN VIEW



SECTION VIEW

DESIGN NOTES

1. Concrete: 4,500 psi @ 28 days
2. Meets or Exceeds State DEQ and Local Requirements
3. 1-Piece Construction with Mastic Sealant - ASTM C990
4. Tank Requires PVC Tee on Outlet

SCALE: 1/2" = 1'-0"