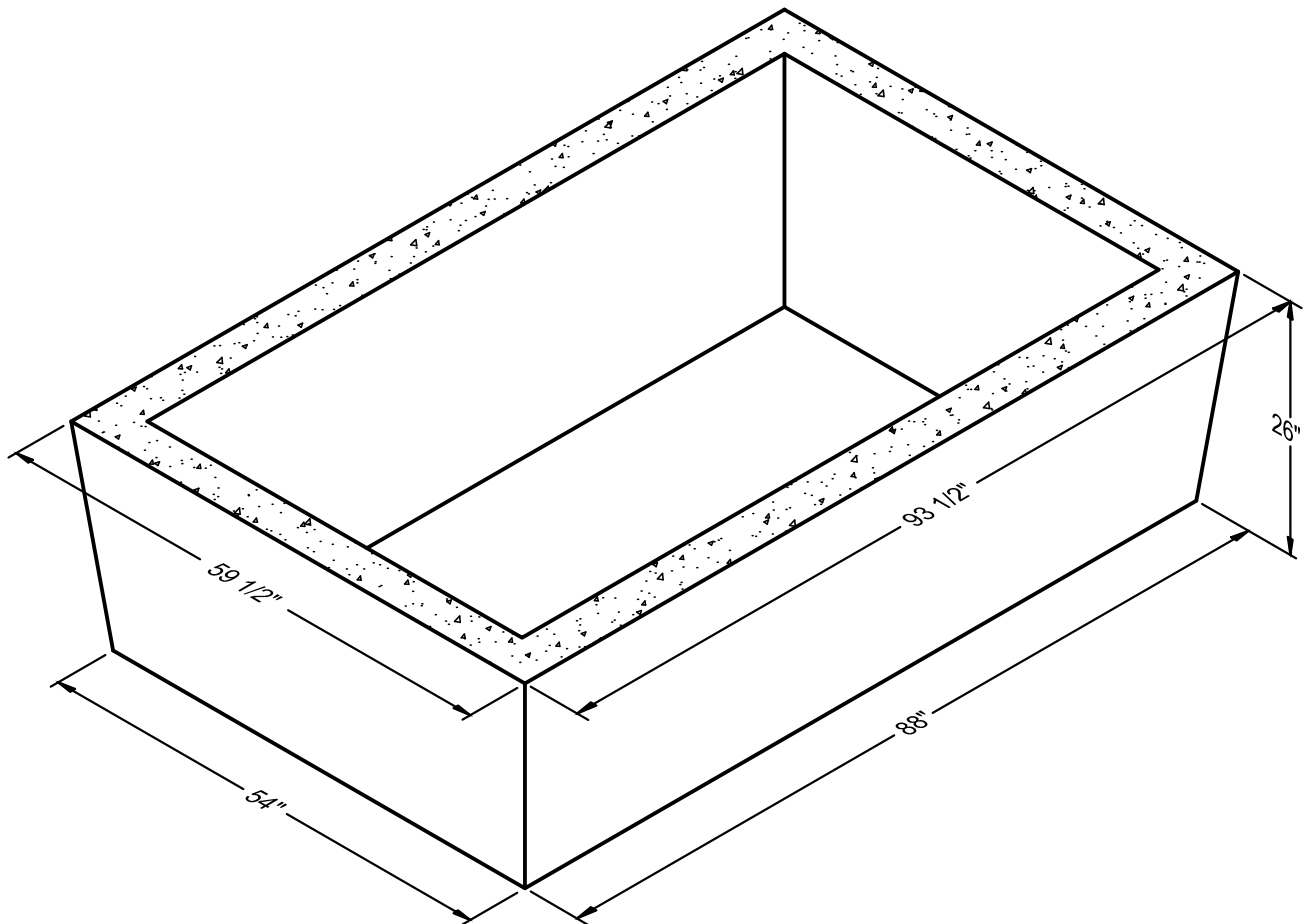




HUNTON PRE-CAST CONCRETE

PO BOX 7091 - MISSOULA, MONTANA - 59807-7091
PHONE 406-543-8640 - FAX 406-549-0727

CATTLE WATER TANK
400 GALLONS
PRODUCT NO. 407



2" PIPE INLET AND OUTLET AT BOTTOM