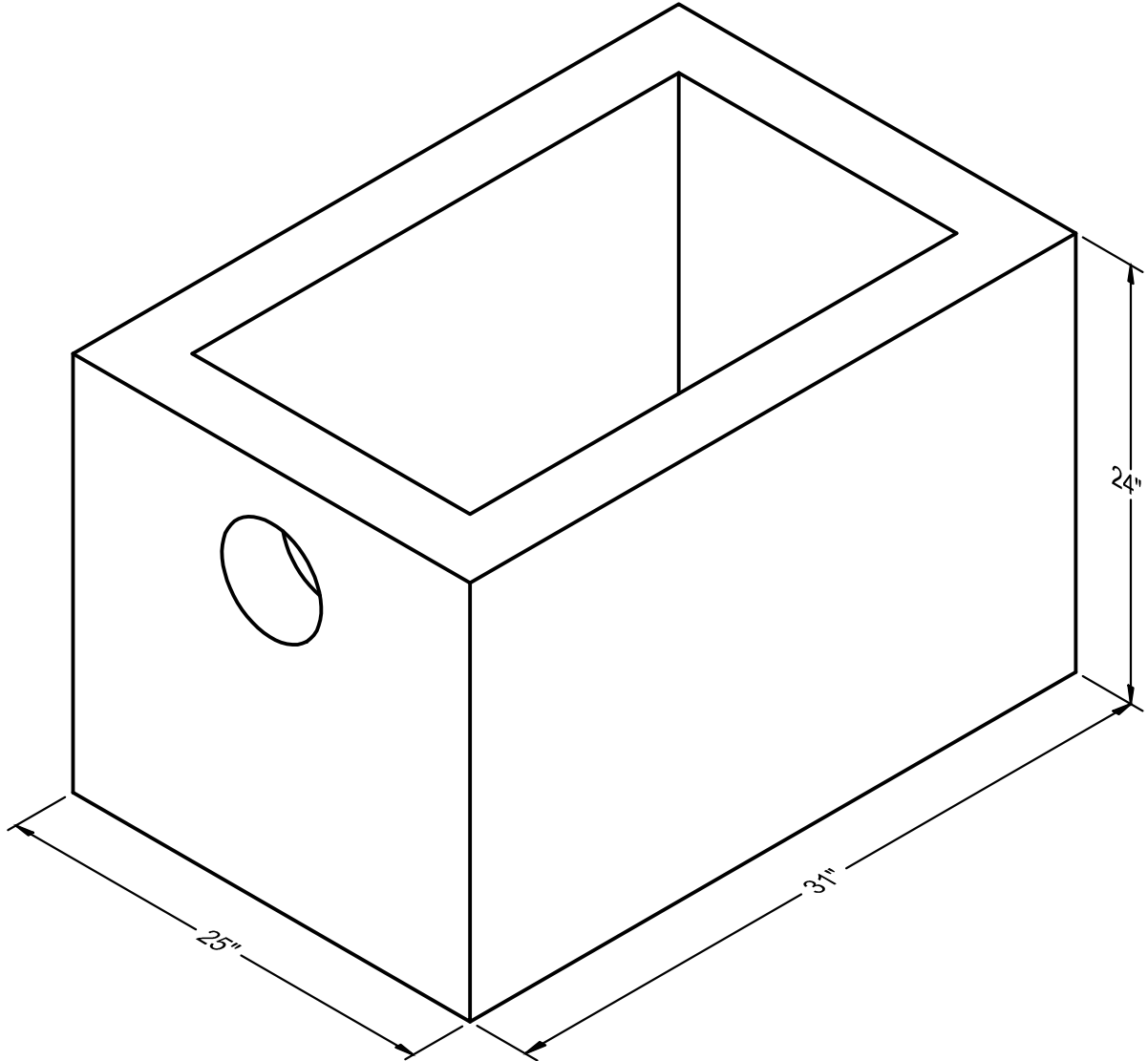




HUNTON PRE-CAST CONCRETE

PO BOX 7091 - MISSOULA, MONTANA - 59807-7091
PHONE 406-543-8640 - FAX 406-549-0727

CATCH BASIN PRODUCT NO. 311C



NOTE
CAST IRON (IFCO 312 RING, C-2 GRATE)
SEE DETAIL ON NEXT PAGE

DESIGN NOTES

1. Concrete: 4,500 psi @ 28 days
2. Manufactured to ASTM C-478 Standards