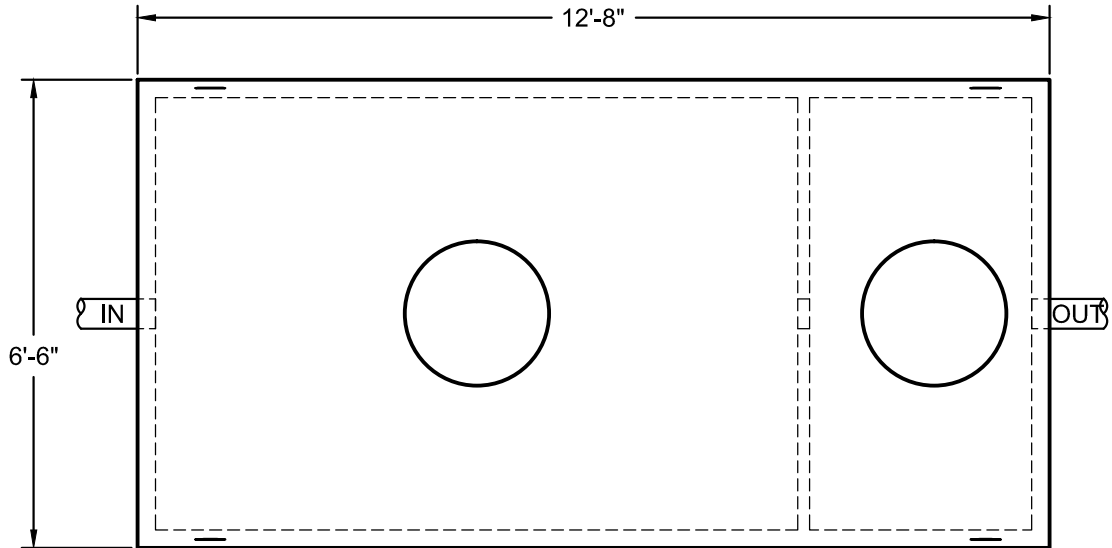




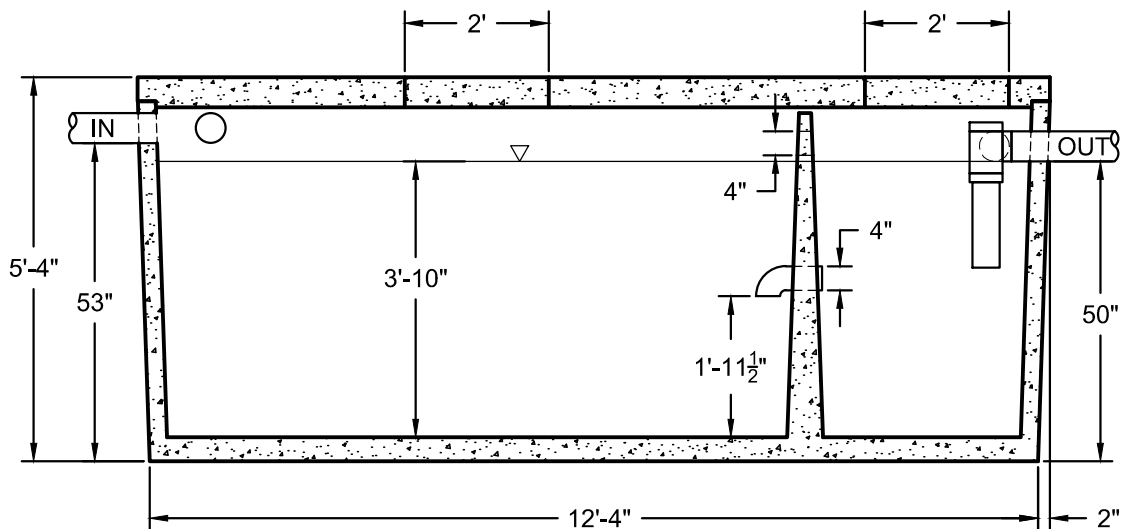
# HUNTON PRE-CAST CONCRETE

PO BOX 7091 - MISSOULA, MONTANA - 59807-7091  
PHONE 406-543-8640 - FAX 406-549-0727

2000 GALLON OIL/SAND  
INTERCEPTOR TANK  
PRODUCT NO. 111



PLAN VIEW



SECTION VIEW

## DESIGN NOTES

1. Concrete: 4,500 psi @ 28 days
2. Meets or Exceeds State DEQ and Local Requirements
3. 1-Piece Construction with Mastic Sealant - ASTM C990
4. Tank Requires PVC Tee on Outlet

SCALE: 3/8" = 1'-0"