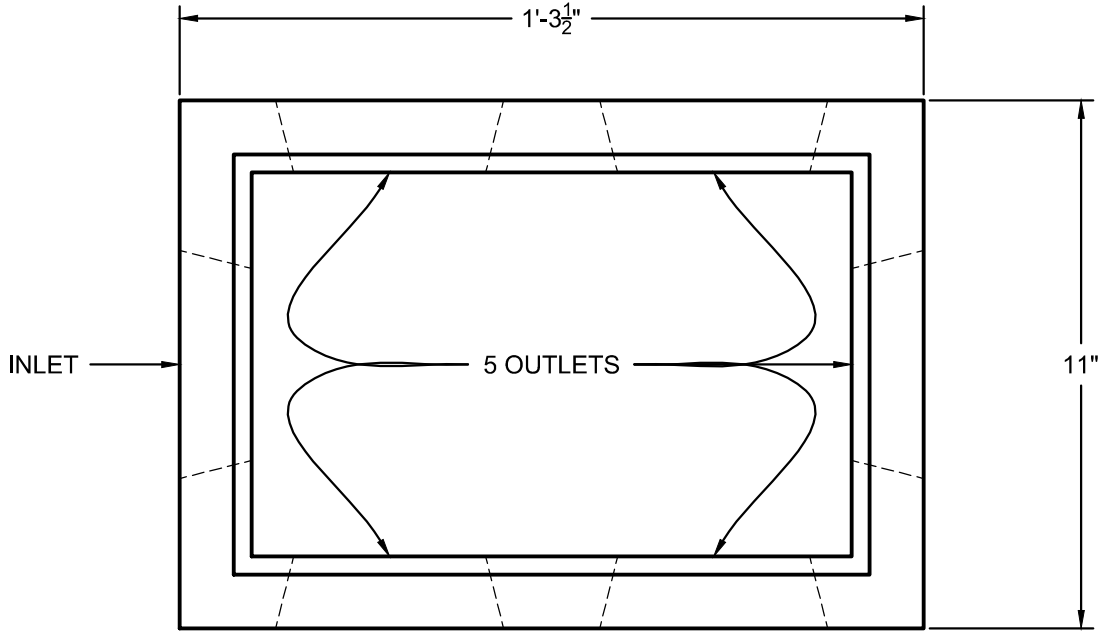




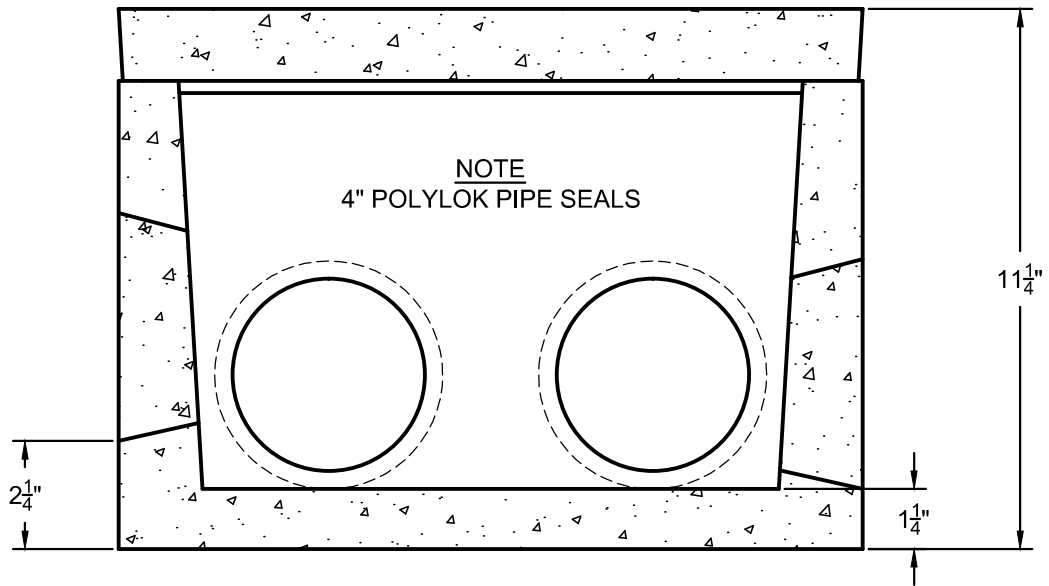
HUNTON PRE-CAST CONCRETE

PO BOX 7091 - MISSOULA, MONTANA - 59807-7091
PHONE 406-543-8640 - FAX 406-549-0727

DISTRIBUTION BOX PRODUCT NO. 119



PLAN VIEW



SECTION VIEW

DESIGN NOTES

1. Concrete: 4,500 psi @ 28 days
2. Meets or Exceeds State DEQ and Local Requirements