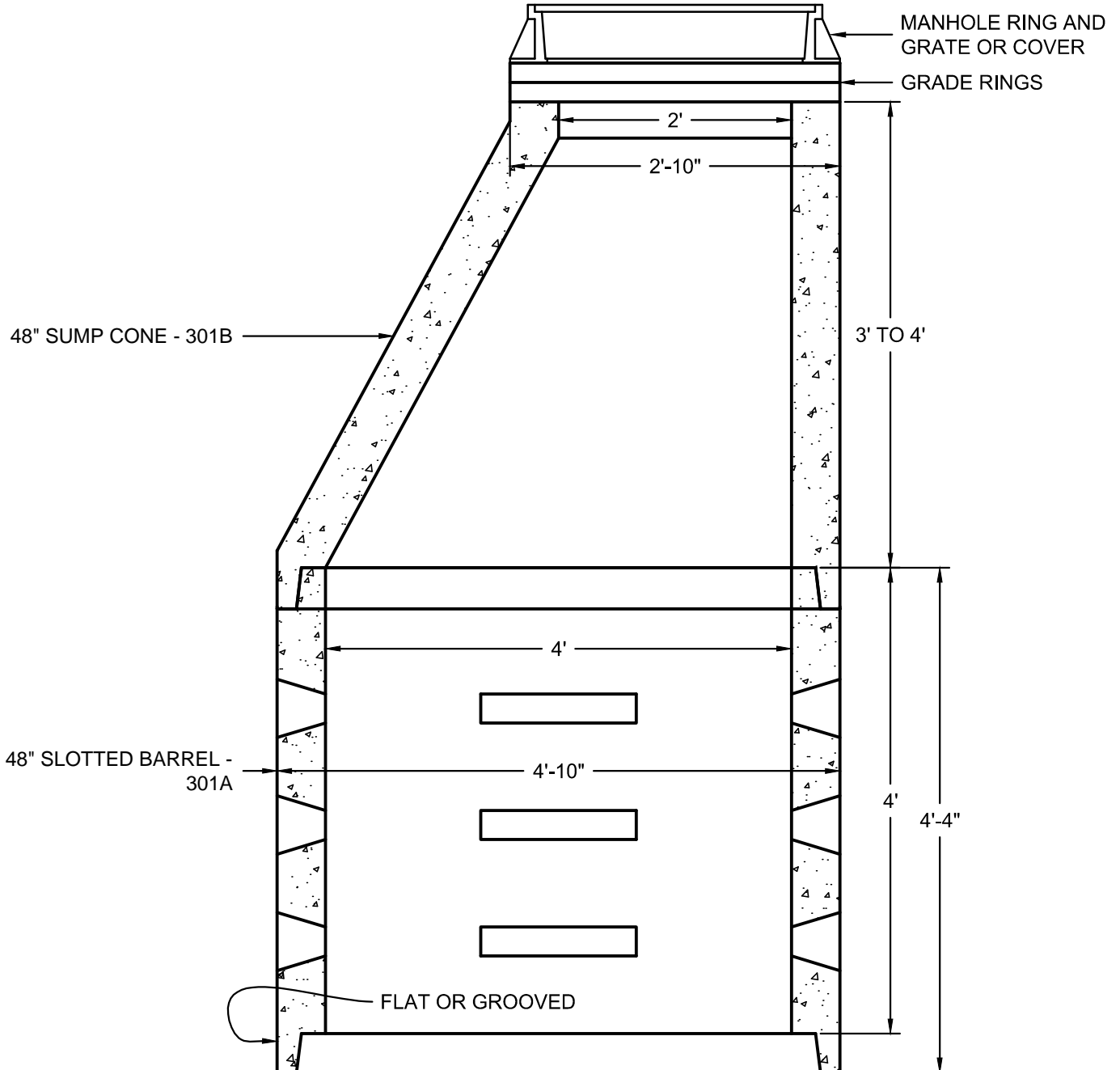




# HUNTON PRE-CAST CONCRETE

PO BOX 7091 - MISSOULA, MONTANA - 59807-7091  
PHONE 406-543-8640 - FAX 406-549-0727

## 8' TALL DRAINAGE SUMP PRODUCT NO. 301A & B



### DESIGN NOTES

1. Concrete: 4,500 psi @ 28 days
2. Meets or Exceeds State DEQ and Local Requirements

SCALE: 3/4" = 1'-0"